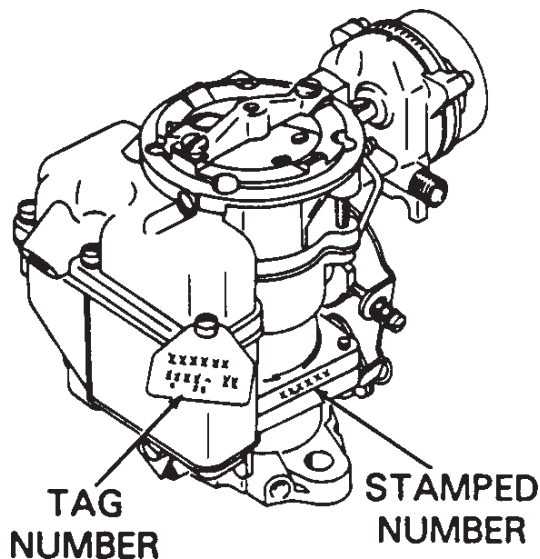
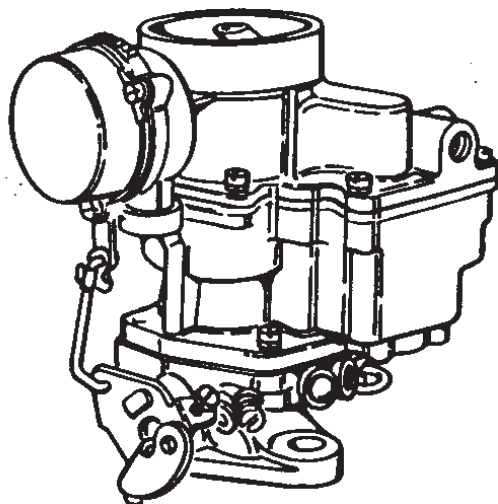


CARTER

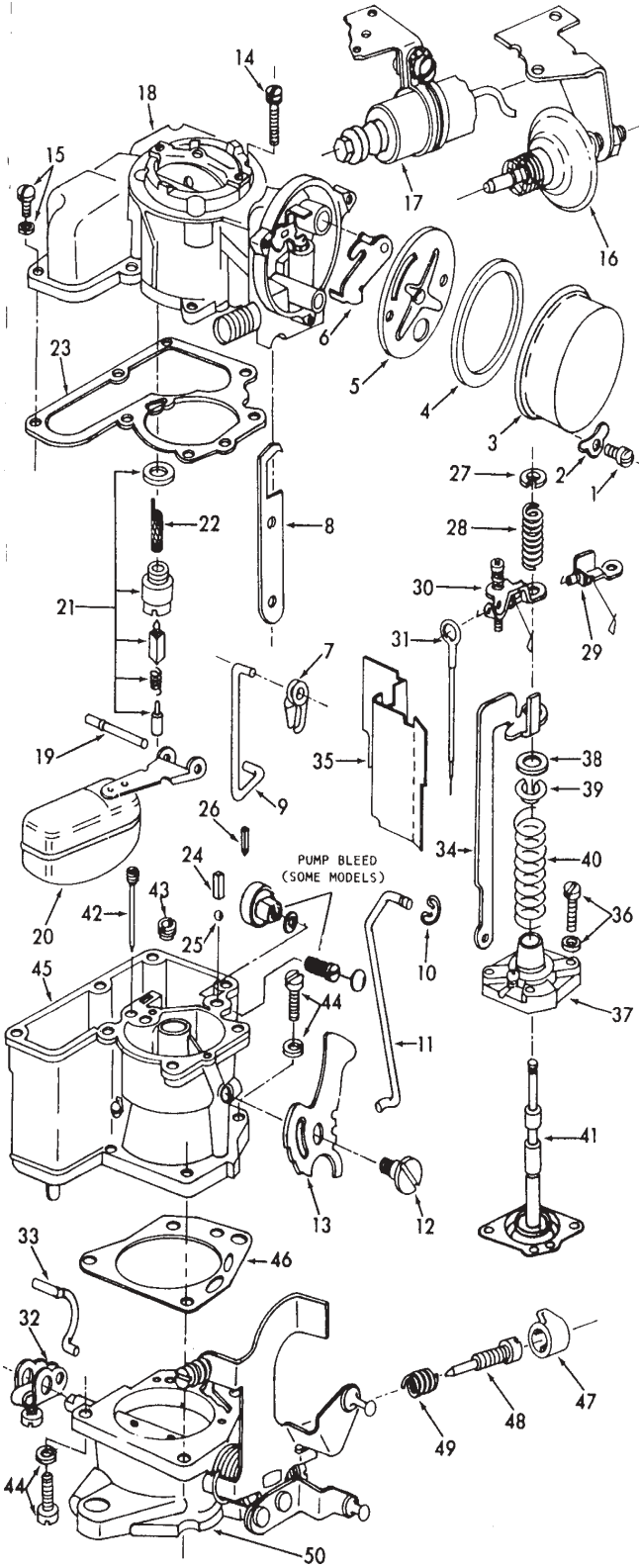
"YF"

"YFA"



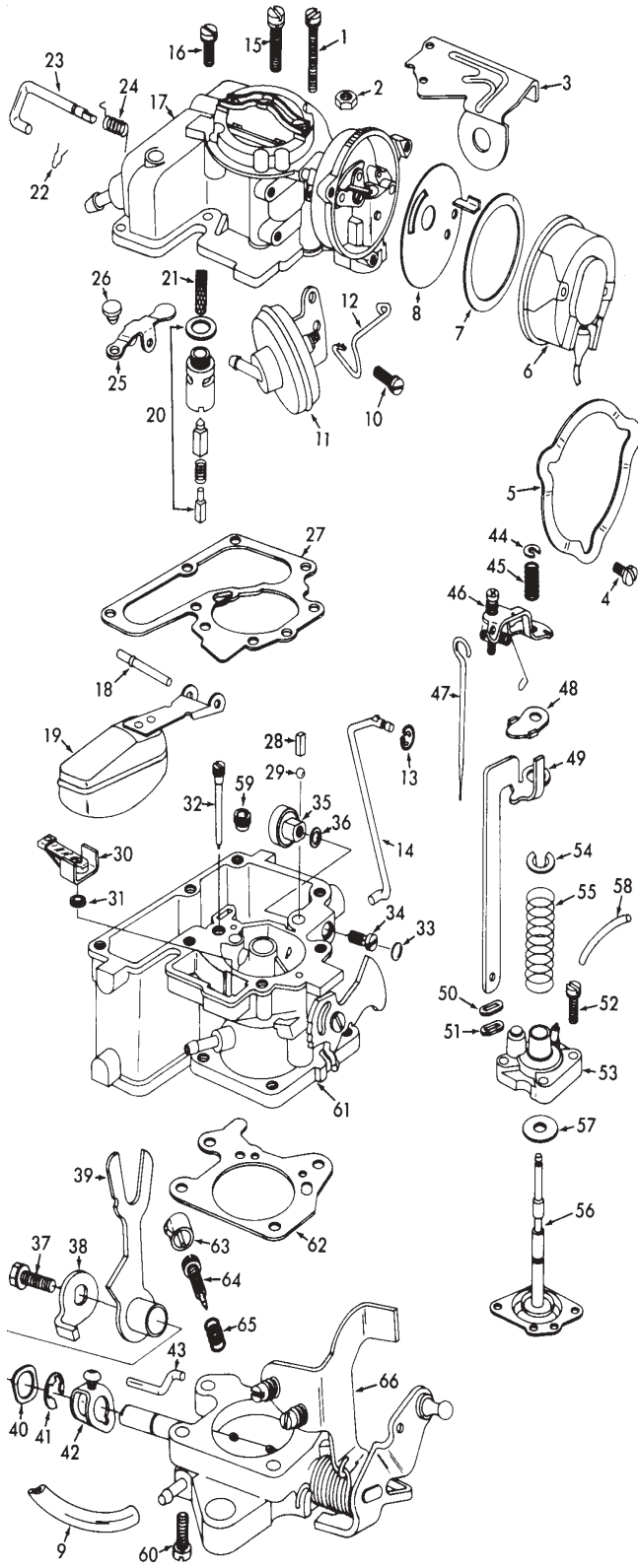
APPLICATION

AMERICAN MOTORS (6 cyl)	1970-79
AMERICAN MOTORS (6 cyl)	1984-88
CHECKER MOTORS (6 cyl).....	1964-65
FORD (4 cyl, 6 cyl)	1981-86
FORD (4 cyl, 6 cyl)	1967-79
JEEP (6 cyl)	1965-78
GMC VAN (4 cyl, 6 cyl).....	1964-67
GENERAL MOTORS	1937-62
GENERAL MOTORS (6 cyl)	1963-67
INTERNATIONAL HARVESTER	1953-53
KAISER-FRAZER	1951-54
KAISER, JEEP, WILLYS	1950-71
NASH	1951-62



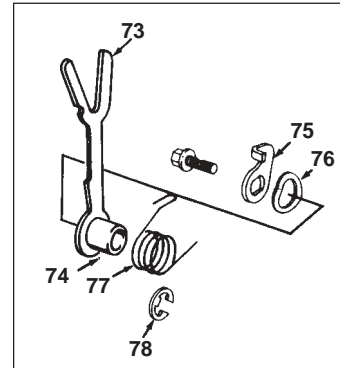
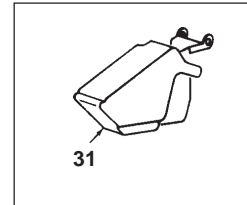
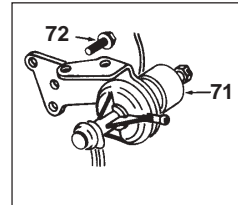
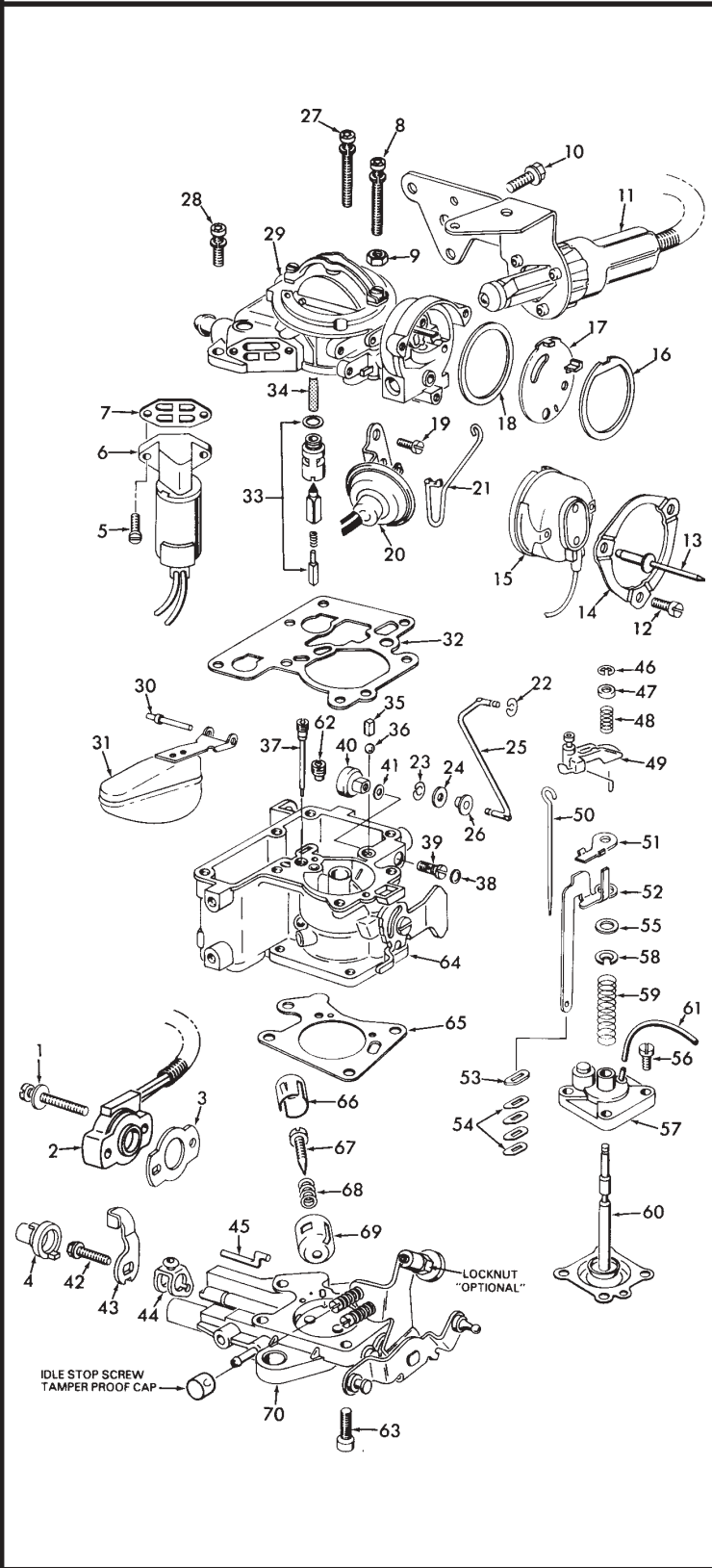
REF#	NOMENCLATURE	PART#
1)	CHOKE COVER CLAMP SCREW (3)	80-42
2)	CHOKE COVER CLAMP (3)	85-203
3)	CHOKE COVER & SPRING	40-4 / 66-32
4)	CHOKE COVER GASKET	G97-1
5)	CHOKE BAFFLE PLATE	40-10
6)	CHOKE TRIP LEVER (EARLY MODELS)	
7)	FAST IDLE LINK RETAINER (EARLY MODELS)	
8)	FAST IDLE LINK (EARLY MODELS)	
9)	FAST IDLE ROD (EARLY MODELS)	SEE PAGE 31
10)	FAST IDLE ROD RETAINER	62-62
11)	FAST IDLE ROD	SEE PAGE 31
12)	FAST IDLE CAM SCREW	75-22
13)	FAST IDLE CAM	85-201
14)	BOWL COVER SCREW & LOCK WASHER (3) LONG	80-90
15)	BOWL COVER SCREW & LOCK WASHER (4) SHORT	80-83
16)	DASHPOT & BRACKET (WHEN USED)	
17)	SOLENOID & BRACKET (WHEN USED)	
18)	BOWL COVER ASSY	
19)	FLOAT PIN	32-39
20)	FLOAT & LEVER ASSY	SEE PAGE 36
21)	NEEDLE & SEAT AND GASKET ASSY	SEE PAGE 37
22)	NEEDLE & SEAT SCREEN (SOME MODELS)	30-57
23)	BOWL COVER GASKET	SEE PAGE 34
24)	CHECK BALLWEIGHT	17-67
25)	PUMP CHECK BALL	SEE PAGE 30
26)	PUMP CHECK NEEDLE (SOME MODELS)	SEE PAGE 31
27)	UPPER PUMP SPRING RETAINER	SEE PAGE 30
28)	UPPER PUMP SPRING	
29)	METERING ROD ARM ASSY (EARLY MODELS)	
30)	METERING ROD ARM & ADJUSTING SCREW ASSY	
31)	METERING ROD	
32)	THROTTLE SHAFT ARM	
33)	PUMP CONNECTOR LINK	
34)	PUMP LIFTER LINK	
35)	FUEL BOWL BAFFLE PLATE (SOME MODELS)	
36)	PUMP HOUSING SCREW & LOCK WASHER (4)	80-46
37)	PUMP HOUSING ASSY	
38)	PUMP STEM SPACER (SOME MODELS)	
39)	PUMP SPRING RETAINER	SEE PAGE 30
40)	PUMP SPRING	66-15
41)	PUMP DIAPHRAGM ASSY	64-65
42)	LOW SPEED JET	17-20
43)	METERING ROD JET	120-1 Series
44)	THROTTLE BODY SCREW & LOCK WASHER (3)	80-46
45)	BOWL ASSY	
46)	THROTTLE BODY GASKET	SEE PAGE 34/35
47)	IDLE LIMITER CAP	SEE PAGE 30
48)	IDLE ADJUSTING NEEDLE	SEE PAGE 31
49)	IDLE NEEDLE SPRING	SEE PAGE 32
50)	THROTTLE BODY ASSY	

NON-FEEDBACK

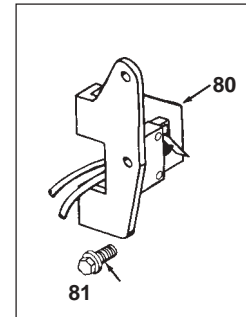
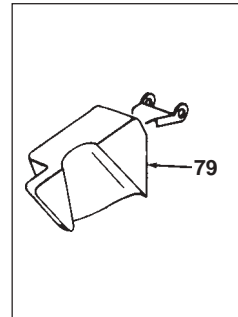


REF#	NOMENCLATURE	PART#
1)	BRACKET SCREW & LOCK WASHER (2) ..	80-90
2)	BRACKET SCREW LOCKNUT	
3)	BRACKET	
4)	CHOKE COVER CLAMP SCREW (3)	80-42
5)	CHOKE COVER CLAMP	85-78
6)	CHOKE COVER & SPRING ASSY	102-1016
7)	CHOKE COVER GASKET	SEE PAGE 33
8)	CHOKE BAFFLE PLATE	40-10
9)	CHOKE PULL-OFF ASSY HOSE	5/32 HOSE
10)	CHOKE PULL-OFF ASSY SCREW (2)	80-42
11)	CHOKE PULL-OFF ASSY	101-925
12)	CHOKE PULL-OFF LINK	SEE PAGE 31
13)	FAST IDLE ROD RETAINER	62-62
14)	FAST IDLE ROD	SEE PAGE 31
15)	BOWL COVER SCREW & LOCKWASHER (2)	80-83
16)	BOWL COVER SCREW LOCKWASHER (3)	80-83
17)	BOWL COVER ASSY	
18)	FLOAT PIN	32-39
19)	FLOAT & LEVER ASSY	SEE PAGE 36
20)	NEEDLE, SEAT & GASKET ASSY	SEE PAGE 37
21)	NEEDLE SEAT SCREEN	30-57
22)	VENT VALVE SHAFT RETAINER	SEE PAGE 30
23)	VENT VALVE SHAFT	
24)	VENT SHAFT SPRING	66-97
25)	VENT VALVE LEVER	
26)	VENT VALVE	SEE PAGE 30
27)	BOWL COVER GASKET	SEE PAGE 34
28)	DISCHARGE BALL WEIGHT	17-67
29)	PUMP DISCHARGE CHECK BALL	SEE PAGE 30
30)	HOT IDLE COMPENSATOR VALVE ASSY (SOME MODELS)	
31)	HOT IDLE COMPENSATOR VALVE GASKET	G604
32)	LOW SPEED JET	17-20
33)	PUMP RELIEF SCREW PLUG	SEE PAGE 30
34)	PUMP RELIEF CHECK SCREW	
35)	PUMP RELIEF CHECK ASSY	
36)	PUMP RELIEF CHECK ASSY GASKET	G1204
37)	VENT OPERATING LEVER STOP SCREW	
38)	VENT STOP LEVER	
39)	OPERATING LEVER	
40)	OPERATING LEVER SPRING WASHER ...	
41)	SPRING WASHER RETAINER E-CLIP	
42)	PUMP LINK ARM	
43)	PUMP CONNECTOR LINK	
44)	UPPER PUMP SPRING RETAINER	SEE PAGE 30
45)	UPPER PUMP SPRING	
46)	METERING ROD ARM & ADJUSTING SCREW ASSY	
47)	METERING ROD	
48)	ADJUSTING SCREW PLATE	
49)	PUMP LIFTER LINK	
50)	LIFTER LINK SEAL RETAINER	
51)	LIFTER LINK SEAL	SEE PAGE 34
52)	PUMP HOUSING SCREW & LOCK WASHER (4)	80-46
53)	PUMP HOUSING ASSY	
54)	PUMP SPRING RETAINER	SEE PAGE 30
55)	PUMP RETURN SPRING	66-15
56)	PUMP DIAPHRAGM ASSY	64-65
57)	PUMP DIAPHRAGM SPACER	
58)	PUMP PASSAGE TUBE	SEE PAGE 31
59)	MAIN JET	120-1 Series
60)	THROTTLE BODY SCREW (4)	
61)	BOWL ASSY	
62)	THROTTLE BODY GASKET	SEE PAGE 35
63)	IDLE LIMITER CAP	SEE PAGE 30
64)	IDLE ADJUSTING NEEDLE	SEE PAGE 31
65)	IDLE NEEDLE SPRING	SEE PAGE 32
66)	THROTTLE BODY ASSEMBLY	

FEEDBACK













































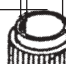



FITS FORD 1982-84 2.0L, 2.3L TRUCK ENGINE











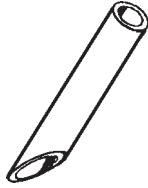







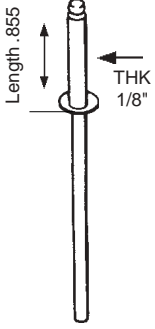


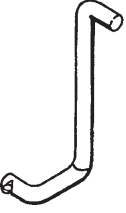

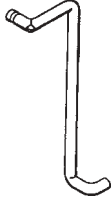

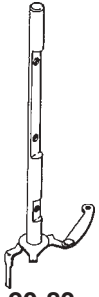











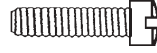




FITS AMC 2.5L ENGINE






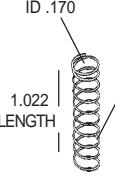
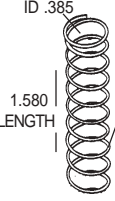
FEEDBACK

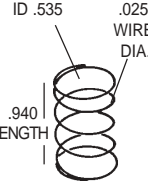






REF#	NOMENCLATURE	PART#	REF#	NOMENCLATURE	PART#
1)	THROTTLE SENSOR SCREW & LOCK WASHER (2)		66)	IDLE NEEDLE CAP	SEE PAGE 30
2)	THROTTLE SENSOR ASSY	SEE PAGE 36/37	67)	IDLE ADJUSTING NEEDLE	SEE PAGE 31
3)	SENSOR PLATE		68)	IDLE ADJUSTING NEEDLE SPRING	SEE PAGE 32
4)	SENSOR DRIVE COUPLER		69)	IDLE NEEDLE CUP	SEE PAGE 30
5)	FEEDBACK SOLENOID SCREW (2)	80-46	70)	THROTTLE BODY ASSY	
6)	FEEDBACK SOLENOID ASSY	SEE PAGE 36/37	71)	SOLEVAC & BRACKET ASSY	
7)	FEEDBACK SOLENOID GASKET	SEE PAGE 34	72)	BRACKET SCREW (3)	
8)	SOLENOID BRACKET SCREW & LOCK WASHER		73)	VENT OPERATING LEVER	
9)	BRACKET SCREW LOCKNUT		74)	THROTTLE SHAFT LEVER BUSHING	22-105
10)	BRACKET SCREW (3)	80-83	75)	VENT STOP LEVER	
11)	THROTTLE SOLENOID & BRACKET ASSY		76)	OPERATING LEVER SPRING WASHER	
12)	CHOKE COVER CLAMP SCREW (3)	80-42	77)	VENT LEVER SPRING	
13)	POP RIVET (2) (SOME MODELS)	SEE PAGE 31	78)	LEVER STOP E-CLIP	
14)	CHOKE COVER CLAMP	85-78	79)	FLOAT & LEVER ASSY	SEE PAGE 36
15)	CHOKE COVER & SPRING ASSY	SEE PAGE 36	80)	SWITCH & BRACKET ASSY	318-2013
16)	CHOKE COVER GASKET	G1242	81)	SWITCH SCREW (2)	
17)	BAFFLE PLATE COVER				
18)	BAFFLE PLATE GASKET	SEE PAGE 32/33			
19)	CHOKE PULL OFF SCREW (2)	80-83			
20)	CHOKE PULL OFF ASSY. w/HOSE	101-925			
21)	CHOKE PULL OFF LINK				
22)	FAST IDLE ROD RETAINER (UPPER)	62-62			
23)	FAST IDLE ROD RETAINER (LOWER)	62-62			
24)	WASHER - FAST IDLE ROD				
25)	FAST IDLE ROD	SEE PAGE 31			
26)	FAST IDLE ROD WASHER/BUSHING				
27)	BOWL COVER SCREW & LOCKWASHER (2) (LONG)	80-90			
28)	BOWL COVER SCREW & LOCK WASHER (4)	80-83			
29)	BOWL COVER ASSY				
30)	FLOAT PIN	32-39			
31)	FLOAT & LEVER ASSY	SEE PAGE 36			
32)	BOWL COVER GASKET	SEE PAGE 34			
33)	NEEDLE & SEAT ASSY	SEE PAGE 37			
34)	NEEDLE SEAT SCREEN	30-57			
35)	DISCHARGE BALL WEIGHT	17-67			
36)	PUMP DISCHARGE BALL	SEE PAGE 30			
37)	LOW SPEED JET	17-20			
38)	PUMP RELIEF SCREW PLUG	SEE PAGE 30			
39)	PUMP RELIEF CHECK SCREW				
40)	PUMP RELIEF CHECK ASSY				
41)	PUMP RELIEF CHECK ASSY GASKET	G1204			
42)	THROTTLE SHAFT LEVER SCREW				
43)	SENSOR DRIVE COUPLER LEVER				
44)	PUMP LINK ARM				
45)	PUMP CONNECTOR LINK				
46)	UPPER SPRING RETAINER E-CLIP	SEE PAGE 30			
47)	CUP SPRING	SEE PAGE 30			
48)	UPPER PUMP SPRING				
49)	METERING ROD ARM & ADJUSTING SCREW ASSY				
50)	METERING ROD				
51)	ADJUSTING SCREW PLATE				
52)	PUMP LIFTER LINK				
53)	LIFTER LINK SEAL RETAINER				
54)	LIFTER LINK SEAL (4)	SEE PAGE 34			
55)	LIFTER LINK SPACER WASHER				
56)	PUMP SCREW & LOCKWASHER (4)				
57)	PUMP HOUSING ASSY				
58)	PUMP SPRING RETAINER	SEE PAGE 30			
59)	PUMP RETURN SPRING	66-15			
60)	PUMP DIAPHRAGM ASSY	64-65			
61)	PUMP PASSAGE TUBE	SEE PAGE 31			
62)	MAIN JET	120-1 Series			
63)	THROTTLE BODY SCREW (4)				
64)	BOWL ASSY				
65)	THROTTLE BODY GASKET	SEE PAGE 35			

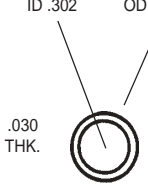
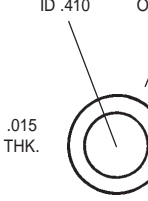



 83-2 LEAD BALL (7/64")	 83-1 LEAD BALL (5/32")	 83-4 LEAD BALL (1/4")	 90-32 CHECK BALL (1/8" Alum)	 90-146 CHECK BALL (9/64" Steel)	 90-12 CHECK BALL (5/32" Steel)	
 62-55 ROD RETAINER	 62-104 ROD RETAINER	 62-56 ROD RETAINER	 62-85 ROD RETAINER	 85-84 PUMP PLUNGER SPRING RETAINER	 85-25 UPPER PUMP SPRING RETAINER	 85-85 PUMP SPRING RETAINER
 67-14 CHECK BALL RETAINER	 62-62 ROD RETAINER	 62-67 ROD CLIP RETAINER	 62-50 ROD CLIP RETAINER	 62-60 ROD CLIP RETAINER	 85-203 CHOKE COVER RETAINER	 85-297 CHOKE COVER RETAINER
120-1 Series Metering Jets  Specify Orifice Sizes	 53-51 INTAKE CHECK BALL ASSEMBLY	 0-107 RIVET PLUG (Aluminum)	 0-86 RIVET PLUG (Aluminum)	 0-90 RIVET PLUG (Aluminum)	 0-50 HIGHSPEED PASSAGE PLUG (Aluminum)	 0-80 PASSAGE PUMP JET PLUG (Aluminum)
 0-122 IDLE NEEDLE CONCEALMENT PLUG	 85-111 ALUMINUM PLUG	 TOP VIEW BOTTOM VIEW 85-133 HIGH SPEED BLEED PLUG	 85-53 EXPANSION PLUG (5/16" Aluminum)	 85-50 EXPANSION PLUG (3/8" Aluminum)	 85-47 EXPANSION PLUG (9/16" Aluminum)	 85-108 IDLE LIMITER CAP
 85-321 IDLE LIMITER CAP	 85-255 IDLE MIXTURE SCREW CAP	 85-254 IDLE MIXTURE SCREW CAP	 G600-5 RUBBER CAP (1/8")	 G652 RUBBER CAP (5/32")	 G600-1 RUBBER CAP (7/32")	 G665 RUBBER CAP (3/8")
 G1245 VENT VALVE GROMMET	 22-8 CABLE ADAPTER SWIVEL	 22-21 THROTTLE LEVER ROLLER	 ID .312 OD .370 Length OD .379 22-106 BRASS BUSHING (Shaft Size 5/16")	 ID .312 Length OD .345 22-51 BRASS BUSHING (Shaft Size 5/16")	 ID .318 OD .378 Length OD .437 22-105 BRASS BUSHING	 ID .315 Length OD .437 22-119 BRASS BUSHING (Shaft Size 5/16")

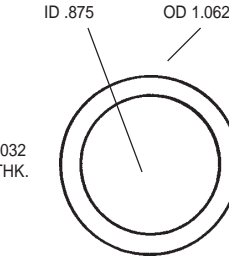
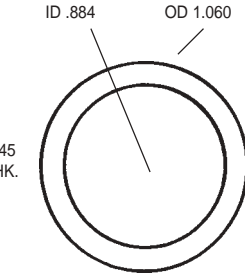
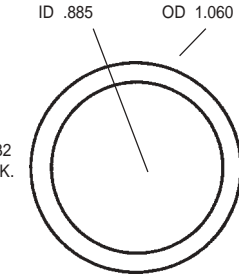
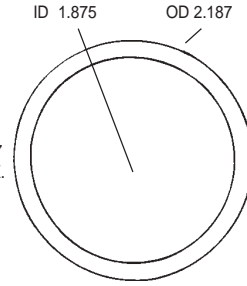
 <p>17-134 BRASS PUMP TUBE</p>	 <p>17-67 PUMP CHECK BALL WEIGHT</p>	 <p>17-16-3 PUMP CHECK NEEDLE VALVE</p>	 <p>17-16-1 PUMP CHECK NEEDLE VALVE</p>	 <p>30-57 FUEL INLET STRAINER SCREEN</p>	 <p>30-53 FUEL FILTER</p>	
 <p>5/32HOSE VACUUM HOSE</p>	 <p>32-39 FLOAT PIN</p>	 <p>17-57 STEEL TUBE OD. 250"X1.165" Length</p>	 <p>17-72 BRASS TUBE OD. 315"X1.145" Length</p>	 <p>17-7-2 PUMP DISCHARGE TUBE HOLDER OD. 250"X1.000" Length</p>	 <p>17-132 PLASTIC PUMP PASSAGE TUBE OD. 155"X1.500" Length</p>	
 <p>17-27 BRASS TUBE OD. 250"X1.130" Length</p>	 <p>17-48 BRASS TUBE OD. 187"X1.914" Length</p>	 <p>17-113 PLASTIC PUMP PASSAGE TUBE OD. 160"X2.500" Length</p>	 <p>17-20 LOW SPEED IDLE TUBE OD. 094"X1.500" Length</p> <p>ORIFICE .027</p>	 <p>1014F CHOKE COVER POP RIVET</p> <p>Length .420 THK 1/8"</p>	 <p>1181F CHOKE COVER POP RIVET</p> <p>Length .745 THK 1/8"</p>	 <p>G1318 CHOKE COVER POP RIVET</p> <p>Length .855 THK 1/8"</p>
 <p>R30 PUMP ROD</p>	 <p>R80 PUMP ROD</p>	 <p>R64 PUMP ROD</p>	 <p>R77 PUMP ROD</p>	 <p>R81 PUMP ROD</p>	 <p>R79 PUMP ROD</p>	 <p>20-83 CHOKE SHAFT</p>
<p>1/4" Ball</p>  <p>22-121 THROTTLE LEVER BALL STUD (10-32 Threads)</p> <p>.750" Length</p>	<p>1/4" Ball</p>  <p>22-20 THROTTLE LEVER BALL STUD (10-32 Threads)</p> <p>.833" Length</p>	<p>1/4" Ball</p>  <p>22-23 THROTTLE LEVER BALL STUD (10-32 Threads)</p> <p>.828" Length</p>	 <p>16-9-1 IDLE MIXTURE SCREW (10-32X1.075)</p>	 <p>16-5 IDLE MIXTURE SCREW (10-32X1.266)</p>	 <p>16-109 IDLE ADJUSTING SCREW (10-32X1.690)</p>	 <p>75-22 FAST IDLE CAM SCREW (12-28 Threads)</p>

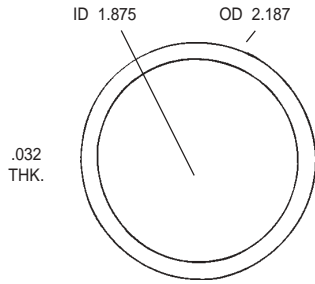
 <p>80-2 THROTTLE PLATE SCREW (3-48X1/4")</p>	 <p>80-42 WIRE CLAMP SCREW (8-32X5/16")</p>	 <p>80-46 PUMP HOUSING SCREW (8-32X5/8")</p>	 <p>80-83 BOWL COVER SCREW (10-32X5/8")</p>	 <p>80-90 AIR HORN SCREW (10-32X1 1/2")</p>	 <p>66-134 METERING ROD SPRING</p>	 <p>66-70 METERING ROD SPRING</p>
---	---	--	---	--	--	---

 <p>66-97 SPRING</p>	 <p>66-57 SPRING</p>	 <p>66-16 PUMP CHECK SPRING</p>	 <p>ID .195 .032 WIRE DIA. .500 LENGTH</p> <p>66-1 IDLE ADJUSTING SCREW SPRING</p>	 <p>ID .204 .038 WIRE DIA. .590 LENGTH</p> <p>66-51 IDLE ADJUSTING SCREW SPRING</p>	 <p>ID .170 .015 WIRE DIA. 1.022 LENGTH</p> <p>66-55 IDLE ADJUSTING SCREW SPRING</p>	 <p>ID .385 .025 WIRE DIA. 1.580 LENGTH</p> <p>66-15 PUMP RETURN SPRING</p>
---	--	---	---	--	---	--

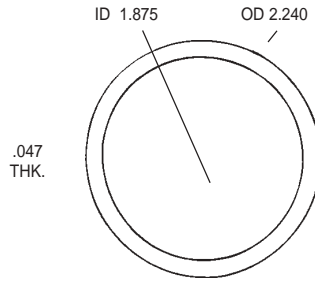
 <p>ID .535 .025 WIRE DIA. .940 LENGTH</p> <p>66-37 FUEL FILTER SPRING</p>	 <p>ID .130 OD .275 .017 THK.</p> <p>G1254 BOWL VENT ROD SEAL O-RING</p>	 <p>ID .145 OD .285 .070 THK.</p> <p>G274 SECONDARY TUBE SEAL O-RING</p>	 <p>ID .176 OD .316 .070 THK.</p> <p>G273 SECONDARY TUBE SEAL O-RING</p>	 <p>ID .192 OD .363 .024 THK.</p> <p>G1204 PUMP RELIEF CHECK ASSEMBLY WASHER (Alum)</p>	 <p>ID .234 OD .375 .030 THK.</p> <p>G57 MAIN METERING JET GASKET (Fiber)</p>	 <p>ID .250 OD .375 .090 THK.</p> <p>G604 HOT IDLE COMPENSATOR WASHER (Cork)</p>
---	---	---	---	--	--	---

 <p>ID .302 OD .416 .030 THK.</p> <p>G38 NEEDLE & SEAT WASHER (Fiber)</p>	 <p>ID .410 OD .645 .015 THK.</p> <p>G494 FUEL FILTER WASHER (Fiber)</p>	 <p>ID .518 OD .690 .046 THK.</p> <p>361F FUEL INLET WASHER (Fiber)</p>	 <p>ID .606 OD .856 .030 THK.</p> <p>G112 INLET STRAINER NUT WASHER (Fiber)</p>	 <p>ID .855 OD 1.120 .032 THK.</p> <p>G586 STRAINER NUT WASHER (Copper)</p>
---	---	--	---	--

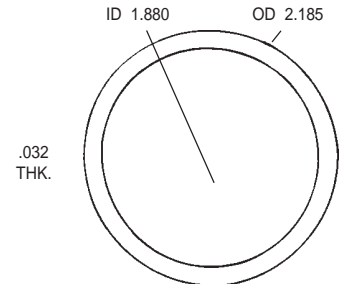
 <p>ID .875 OD 1.062 .032 THK.</p> <p>G778 STRAINER NUT WASHER (Rubber Coated Metal)</p>	 <p>ID .884 OD 1.060 .045 THK.</p> <p>G1125 STRAINER NUT WASHER (Fiber)</p>	 <p>ID .885 OD 1.060 .032 THK.</p> <p>G418 STRAINER NUT WASHER (Fiber)</p>	 <p>ID 1.875 OD 2.187 .047 THK.</p> <p>G1115 CHOKE COVER GASKET</p>
--	--	--	--



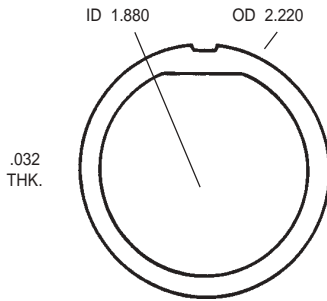
G378
CHOKE COVER GASKET
(Syn. Rubber & Cork)



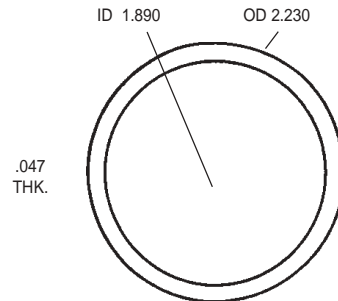
G97-1
CHOKE COVER GASKET



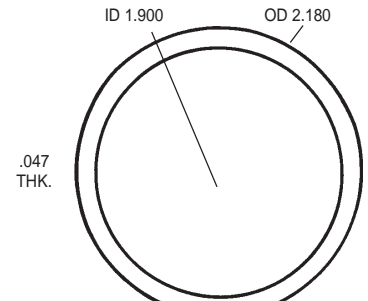
243F
CHOKE COVER GASKET



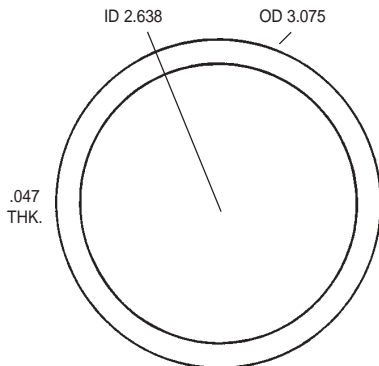
G1242
CHOKE COVER GASKET



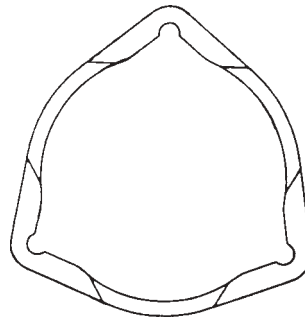
G918
CHOKE COVER GASKET



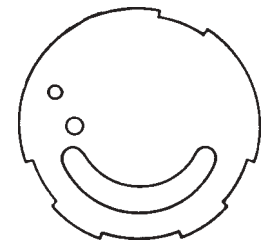
G509
CHOKE COVER GASKET



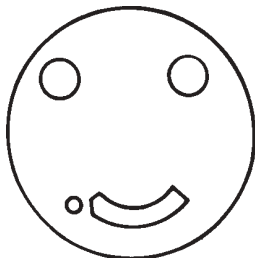
G599
AIR CLEANER GASKET



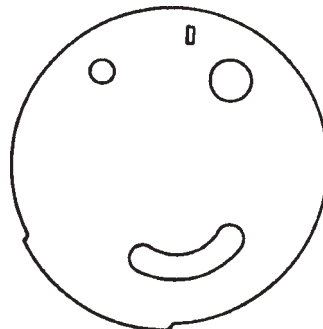
85-78
THERMOSTAT COVER RETAINER



G914
THERMOSTAT COVER GASKET



G118
CHOKE COVER GASKET



G1233
CHOKE COVER GASKET



40-10
CHOKE BAFFLE PLATE



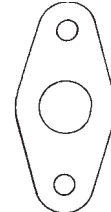
**G501 (1/16")
G1072 (1/64")**
PUMP LIFTER
LINK GASKET



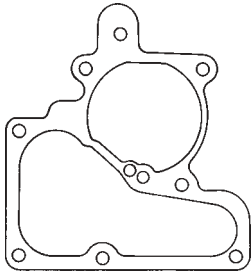
G909
HOUSING
GASKET



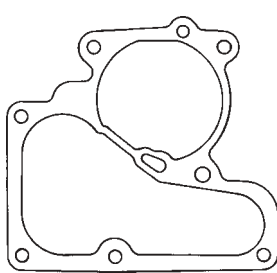
G890
HOUSING
GASKET



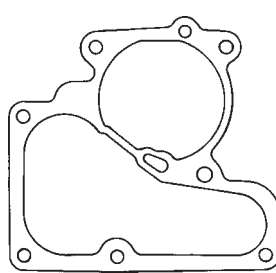
G1508
EGR PIPE
GASKET



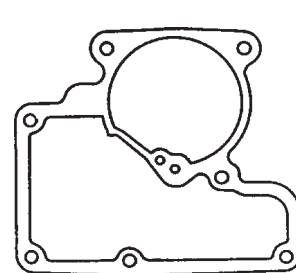
G611
BOWL COVER
GASKET



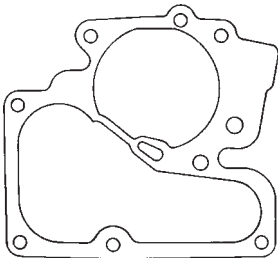
G735
BOWL COVER
GASKET



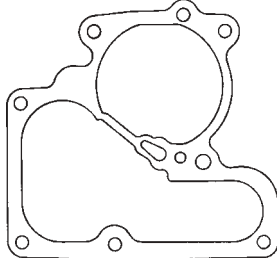
G1150
BOWL COVER
GASKET



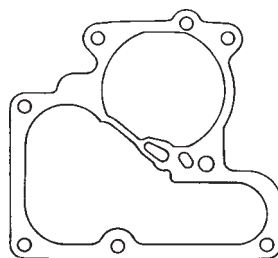
G141
BOWL COVER
GASKET



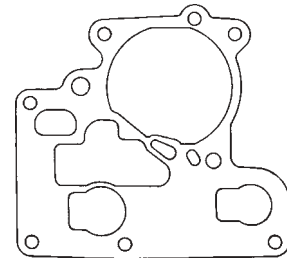
G987
BOWL COVER
GASKET



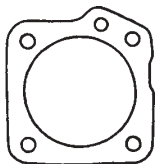
G943
BOWL COVER
GASKET



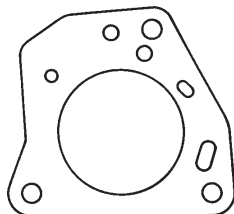
G1119
BOWL COVER
GASKET



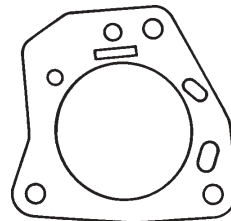
G1243
BOWL COVER
GASKET



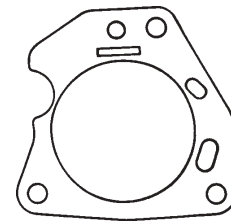
G713
PUMP DIAPHRAGM GASKET
(Cork)



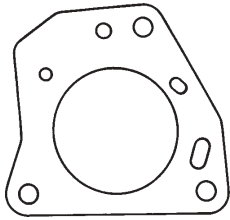
G650
THROTTLE BODY
GASKET



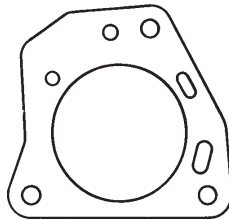
G138-1
THROTTLE BODY
GASKET



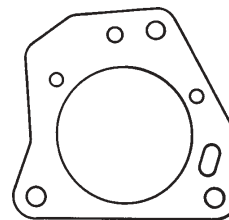
G631
THROTTLE BODY
GASKET



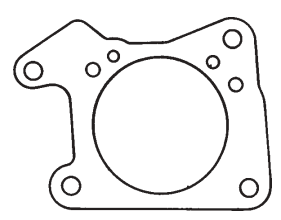
G733
THROTTLE BODY
GASKET



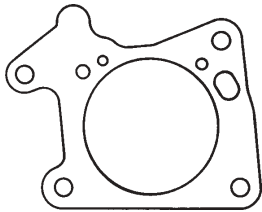
G747
THROTTLE BODY
GASKET



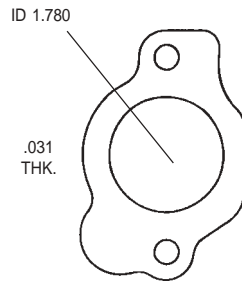
G870
THROTTLE BODY
GASKET



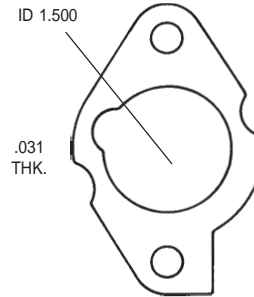
G874
THROTTLE BODY
GASKET



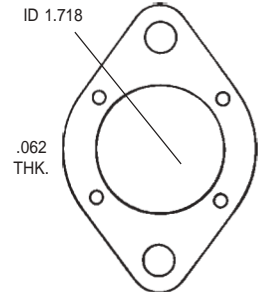
G1069
THROTTLE BODY GASKET



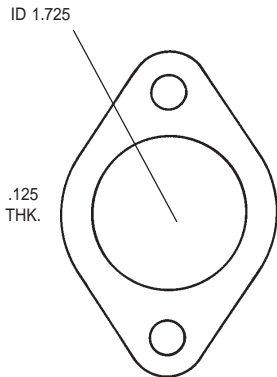
1008F
FLANGE GASKET



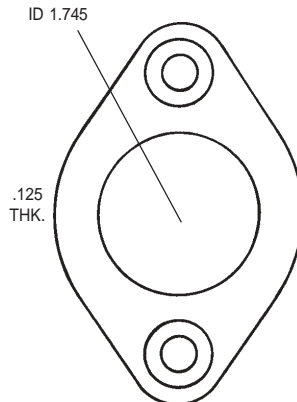
G766
FLANGE GASKET



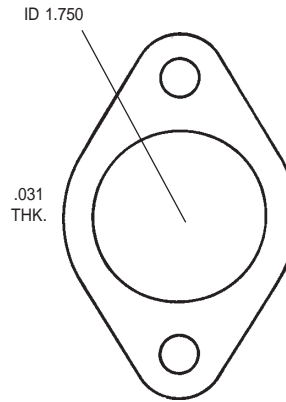
G459
FLANGE GASKET



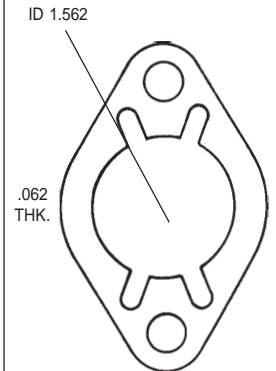
G1322
FLANGE GASKET



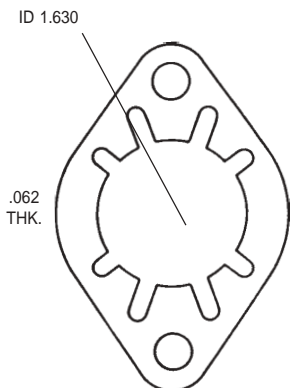
G944
FLANGE GASKET



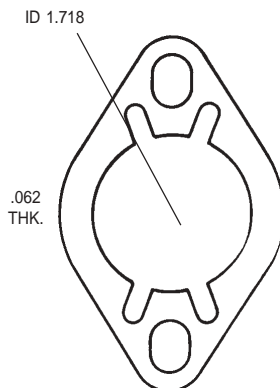
G674
FLANGE GASKET



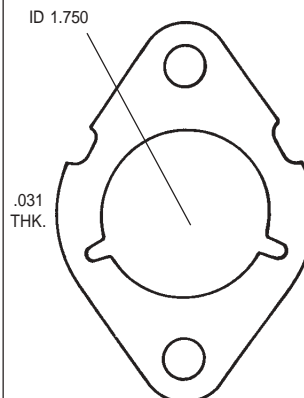
G68
FLANGE GASKET



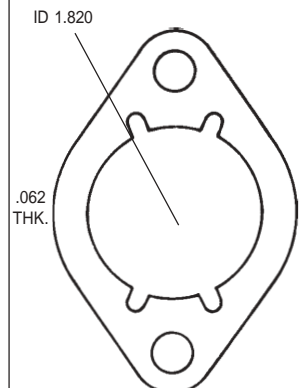
G464
FLANGE GASKET



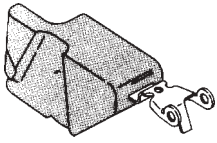
G499
FLANGE GASKET



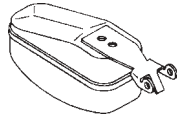
G1004
FLANGE GASKET



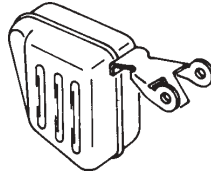
G608
FLANGE GASKET



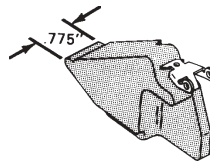
100-15
FLOAT



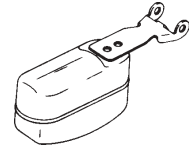
100-31
FLOAT



100-32
FLOAT



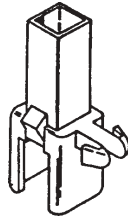
100-89
FLOAT



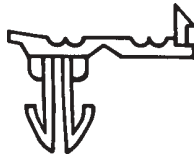
100-93
FLOAT



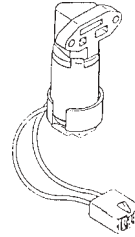
85-428
PLASTIC
CONNECTOR



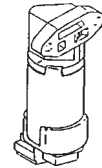
85-214
PLASTIC
CONNECTOR



85-259
WIRE CLAMP
SOLENOID



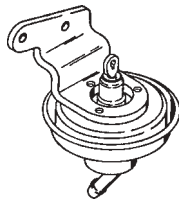
318-2007
PULSE
SOLENOID



318-2006
PULSE
SOLENOID



318-2013
MICRO SWITCH
SOLENOID



101-925
CHOKE
PULL-OFF



40-4
CHOKE COVER
CAP



66-32
CHOKE THERMOSTAT
SPRING



66-106
CHOKE THERMOSTAT
SPRING



102-1009
CHOKE THERMOSTAT
ASSEMBLY



102-1010
CHOKE THERMOSTAT
ASSEMBLY



102-1016
CHOKE THERMOSTAT
ASSEMBLY



102-1027
CHOKE THERMOSTAT
ASSEMBLY



102-1030
CHOKE THERMOSTAT
ASSEMBLY



102-1032
CHOKE THERMOSTAT
ASSEMBLY



102-1053
CHOKE THERMOSTAT
ASSEMBLY








102-1065
CHOKE THERMOSTAT
ASSEMBLY

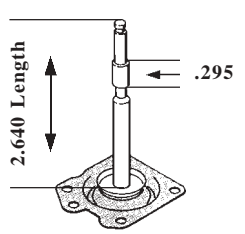
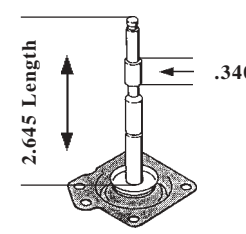
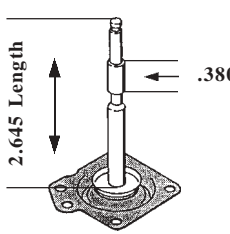

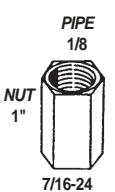


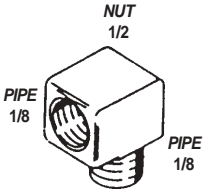
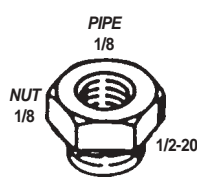
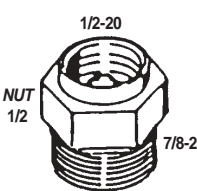
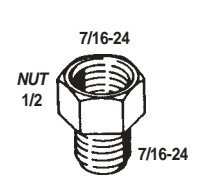
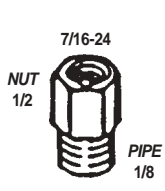
200-1011
BLACK ROTOR
CLOCKWISE
ROTATION
THROTTLE POSITION
SENSOR

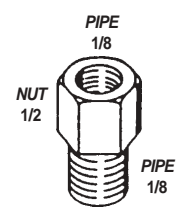
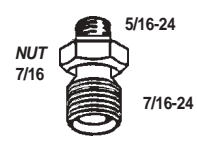
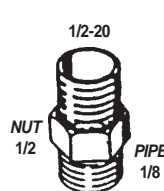
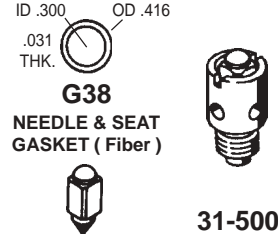


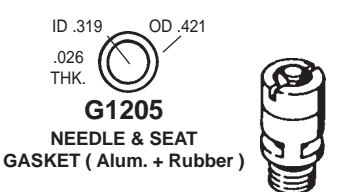
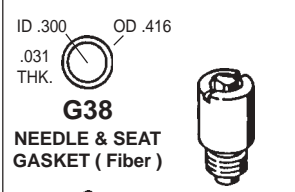
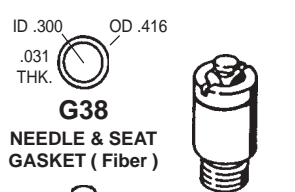
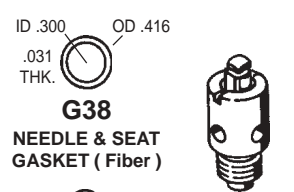
200-1012
BLUE ROTOR
CLOCKWISE
ROTATION
THROTTLE POSITION
SENSOR

<p>BLUE ROTOR CLOCKWISE ROTATION</p>  <p>200-1013 THROTTLE POSITION SENSOR</p>	<p>GRAY ROTOR COUNTER CLOCKWISE ROTATION</p>  <p>200-1014 THROTTLE POSITION SENSOR</p>	<p>BLUE ROTOR CLOCKWISE ROTATION</p>  <p>200-1015 THROTTLE POSITION SENSOR</p>	<p>GRAY ROTOR COUNTER CLOCKWISE ROTATION</p>  <p>200-1016 THROTTLE POSITION SENSOR</p>	<p>BLACK ROTOR CLOCKWISE ROTATION</p>  <p>200-1018 THROTTLE POSITION SENSOR</p>
--	--	--	--	---

 <p>64-457 PUMP DIAPHRAGM ASSEMBLY</p>	 <p>64-65 PUMP DIAPHRAGM ASSEMBLY</p>	 <p>64-66 PUMP DIAPHRAGM ASSEMBLY</p>	 <p>85-201 FAST IDLE CAM</p>	 <p>90-134 UNION FITTING</p>
--	---	---	--	--

 <p>90-110 FUEL INLET ELBOW FITTING</p>	 <p>90-45 BASE REPAIR FITTING</p>	 <p>90-72 FUEL INLET FITTING</p>	 <p>90-17-4 CHOKE TUBE REPAIR FITTING</p>	 <p>90-66 CHOKE FITTING</p>
--	--	---	--	--

 <p>90-17-2 CHOKE REPAIR FITTING</p>	 <p>90-16-1 CHOKE REPAIR FITTING</p>	 <p>90-46 FUEL INLET FITTING</p>	 <p>18-202 NEEDLE</p> <p>31-500 VITON NEEDLE & SEAT ASSEMBLY .076 Orifice</p>
--	--	---	--

 <p>18-221 NEEDLE</p> <p>G1205 NEEDLE & SEAT GASKET (Alum. + Rubber)</p> <p>31-560 VITON NEEDLE & SEAT ASSEMBLY .091 Orifice</p>	 <p>18-203 NEEDLE</p> <p>G38 NEEDLE & SEAT GASKET (Fiber)</p> <p>31-524 VITON NEEDLE & SEAT ASSEMBLY .092 Orifice</p>	 <p>18-200 NEEDLE</p> <p>G38 NEEDLE & SEAT GASKET (Fiber)</p> <p>31-554 VITON NEEDLE & SEAT ASSEMBLY .092 Orifice</p>	 <p>18-219 NEEDLE</p> <p>G38 NEEDLE & SEAT GASKET (Fiber)</p> <p>31-502 VITON NEEDLE & SEAT ASSEMBLY .092 Orifice</p>
--	---	--	---